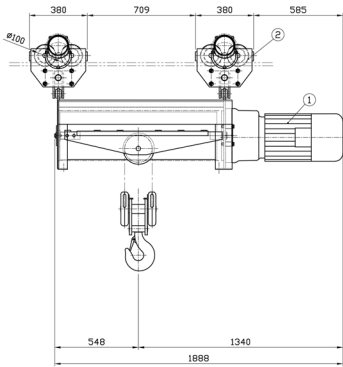
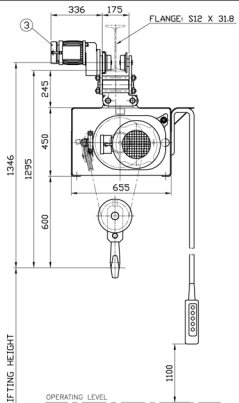


4t center lift - 4tonne hoist supplied to Canada's Mining industry,

This hoist has been flown into Canada due to urgency, the complete project will be completed in December 2010.



LIFTING HEIGHT: 15 240mm
 POWER SUPPLY: 575V, 3Ph, 60Hz
 OPERATING AREA: INDOOR
 PAINTING: CONDRAS STANDARD

MOTION	MOTOR TYPE	KW	SPEED m/min
HOIST	HKD 160 4/12P	11.0/3.0	12.0/3.84
C.T.	TKD 80 4/12P	0.4/0.13	19.0/6.0

3		2	C.T. DRIVE 18/8		
2	81-10-00	2	CRAWL - #180		
1	15-02	1	HOIST 15K L48 4/2		

REV.	DESCRIPTION	NAME	DATE	ITEM NO.	PART NO.	QTY	DESCRIPTION	MATERIAL	MASS/UNIT
0	FIRST ISSUE	SDR	25.10.10						

CUSTOMER : **INDOC CRANES**

TOTAL MASS: -kg
 AW-NO. **0027**

DRAWN	RTG	01.10.10
CHECKED		
BY:		
SCALE	TITLE	DRAWING NO.
1/5	5t HOIST & CRAWL S.GE 15K L48 4/2	AM-0027

condra (PTY) LTD.